



Micro 30 Cabinet Stand
Mini 38 Cabinet Stand

NUVO-AQUARIUM

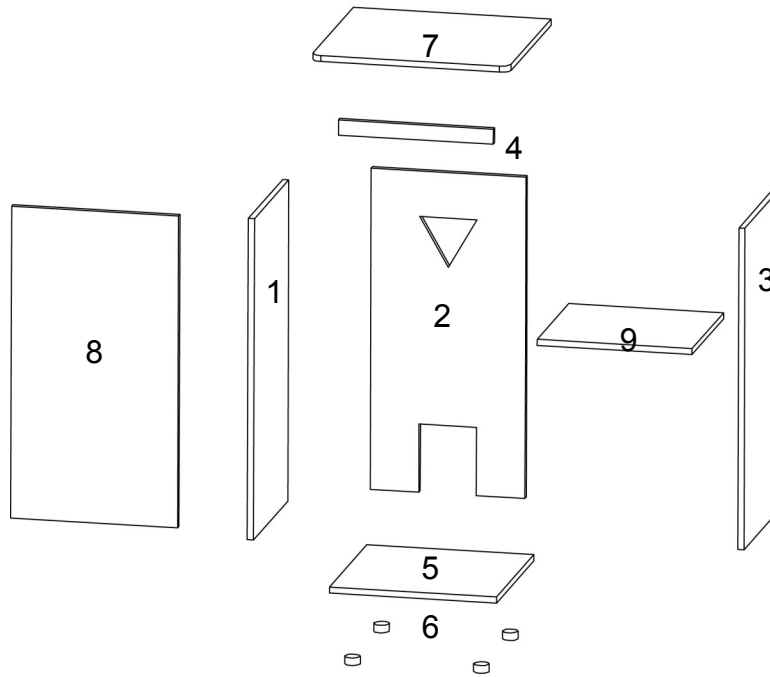
Owner's Manual

CONTENTS

TABLE OF CONTENTS

Micro 30 Cabinet Stand	
Cabinet Panels	3
Hardware Included	4
Instructions	5-9
Mini 38 Cabinet Stand	
Cabinet Panels	10
Hardware Included	11
Instructions	12-17

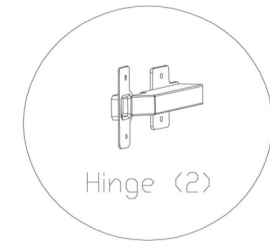
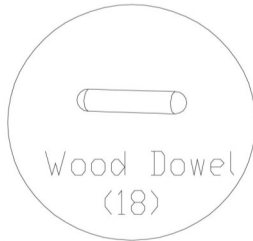
CABINET STAND PANELS



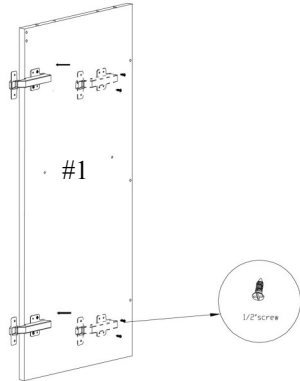
#	Description
1	Left Side Panel w/Hinge Holes
2	Back Panel
3	Right Side Panel
4	Front Support Beam
5	Bottom Panel w/ Plastic Feet Holes
6	Cabinet Feet
7	Top Panel
8	Cabinet Door
9	Shelf

**MICRO 30
CABINET STAND**

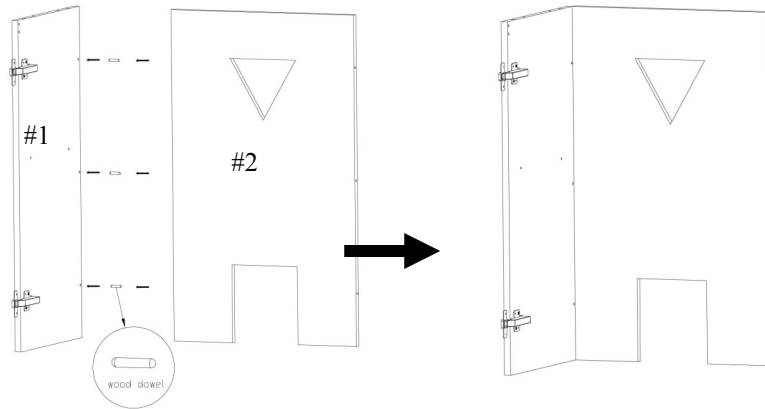
HARDWARE INCLUDED



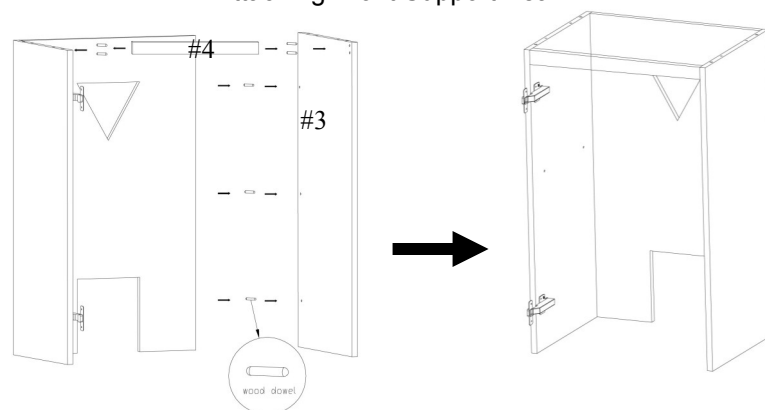
Step 1: Mounting Hinges on Left Side Panel



Step 2: Attaching Left Side Panel to Back Panel

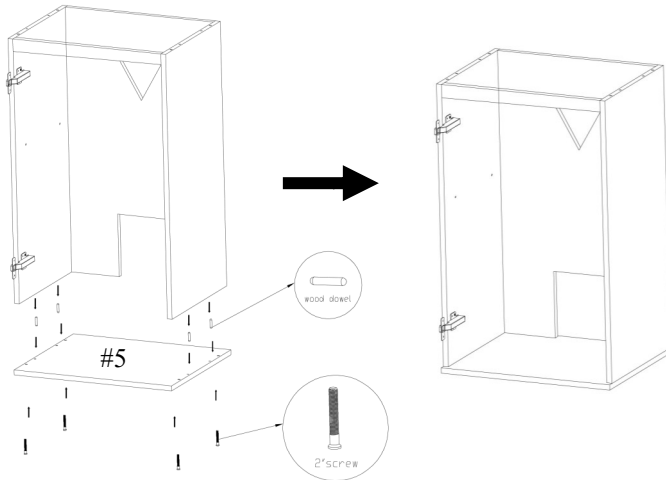


Step 3: Attaching Right Side Panel to Back Panel
Attaching Front Support Beam



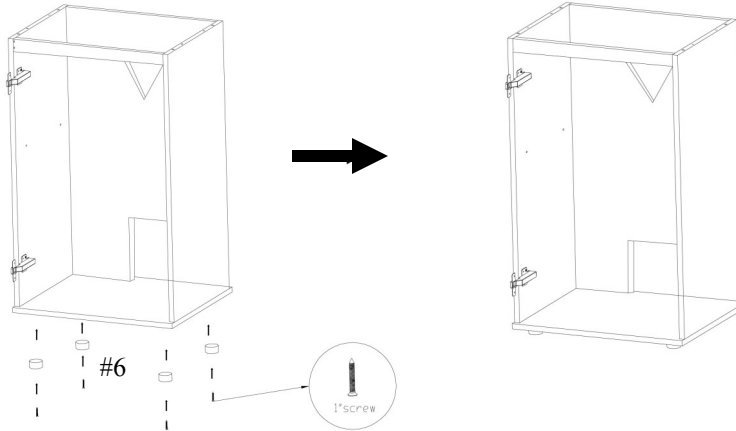
**MICRO 30
CABINET STAND**

Step 4: Attaching Bottom Panel to Main Cabinet

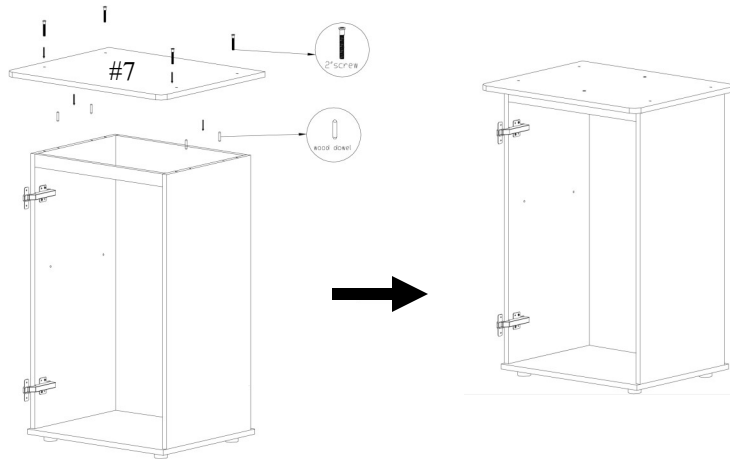


Step 5

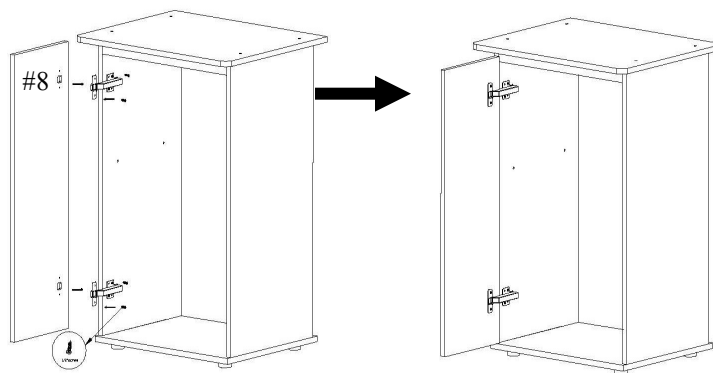
Screwing in Cabinet Feet to Bottom Plate



Step 6
Attaching Top Panel to Main Cabinet

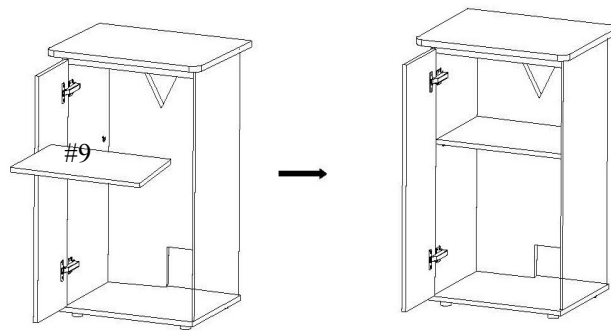
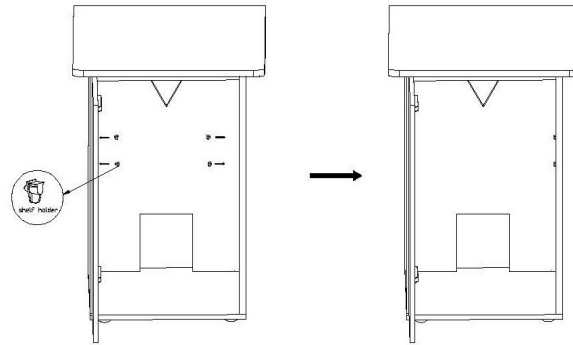


Step 7
Attaching Cabinet Door to Hinges on Stand

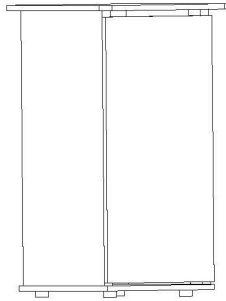


**MICRO 30
CABINET STAND**

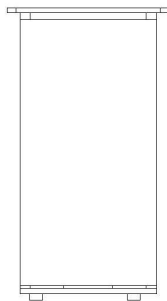
Step 8: Installing Shelf



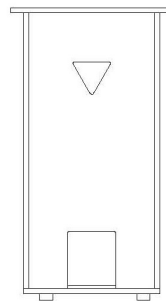
COMPLETED AQUARIUM STAND



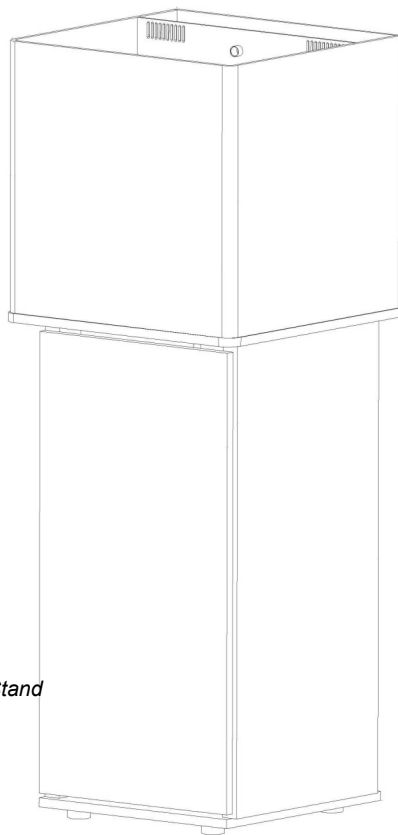
Side View



Front View



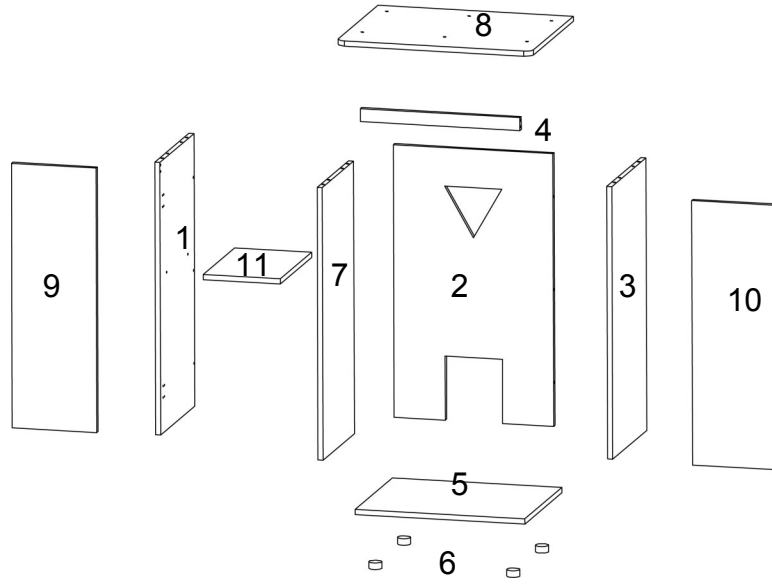
Back View



Shown here with:
Micro 30
Micro 30 Cabinet Stand

**MINI 38
CABINET STAND**

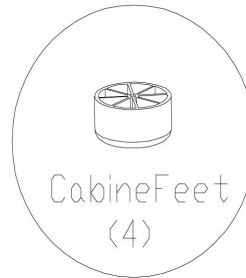
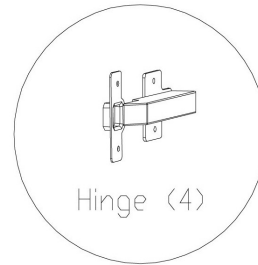
CABINET STAND PANELS



#	Description
1	Left Side Panel w/Hinge Holes
2	Back Panel
3	Right Side Panel
4	Front Brace Bar
5	Bottom Panel w/ Plastic Feet Holes
6	Plastic Feet
7	Center Support Panel
8	Top Panel
9	Left Door
10	Right Door
11	Shelf

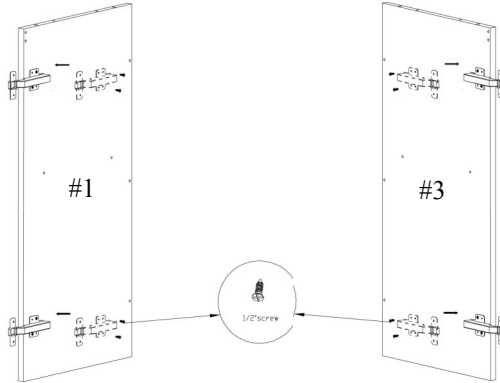
MINI 38
CABINET STAND

HARDWARE INCLUDED

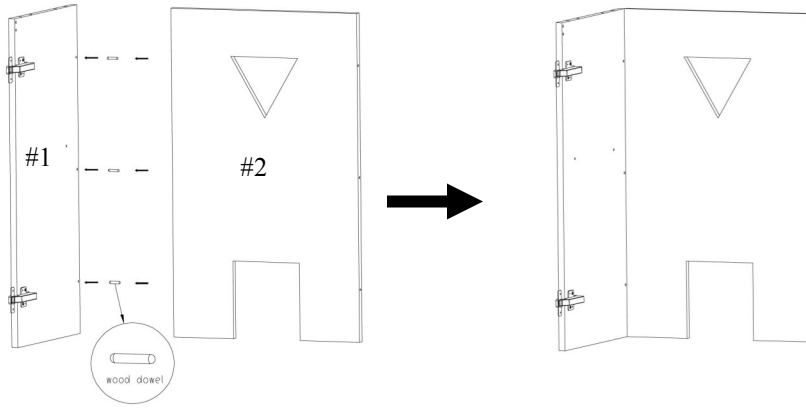


**MINI 38
CABINET STAND**

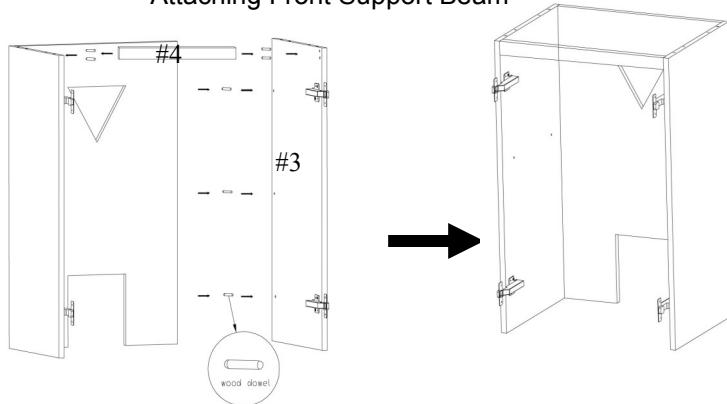
Step 1: Mounting Hinges on Left & Right Side Panel



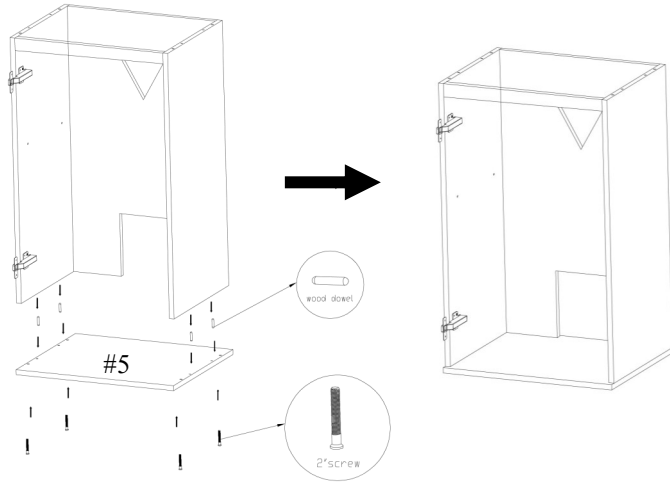
Step 2: Attaching Left Side Panel to Back Panel



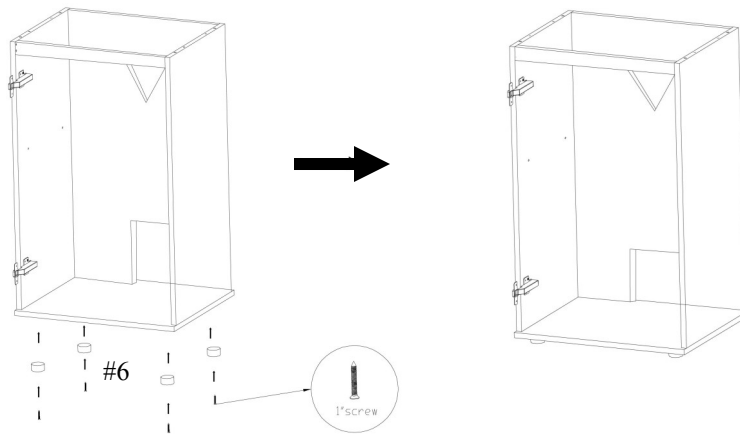
**Step 3: Attaching Right Side Panel to Back Panel
Attaching Front Support Beam**



Step 4: Attaching Bottom Panel to Main Cabinet

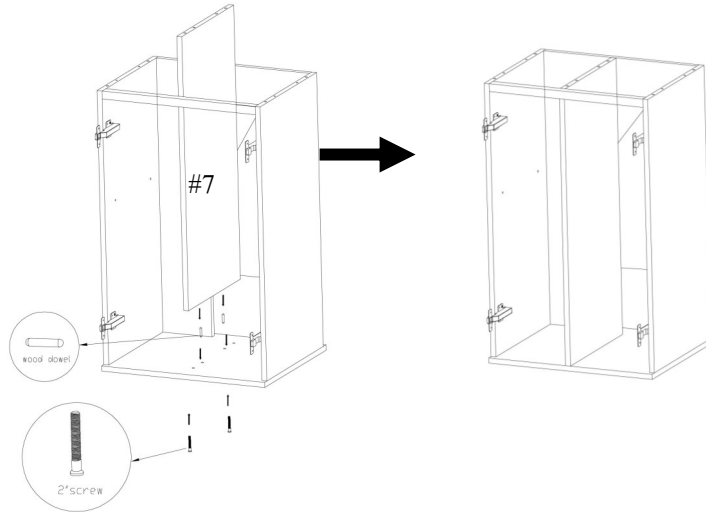


Step 5: Screwing in Cabinet Feet to Bottom Plate

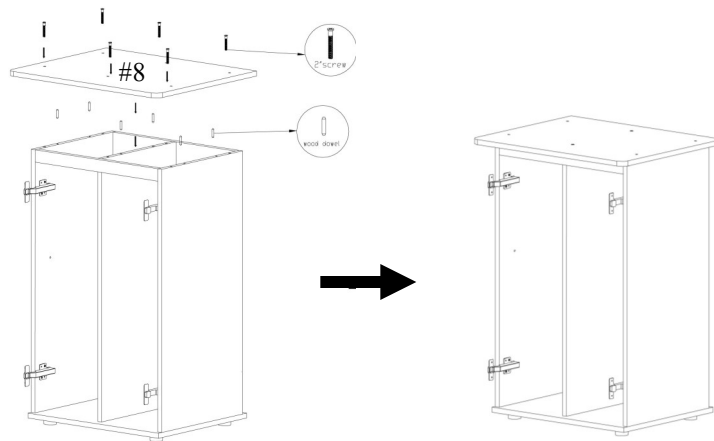


**MINI 38
CABINET STAND**

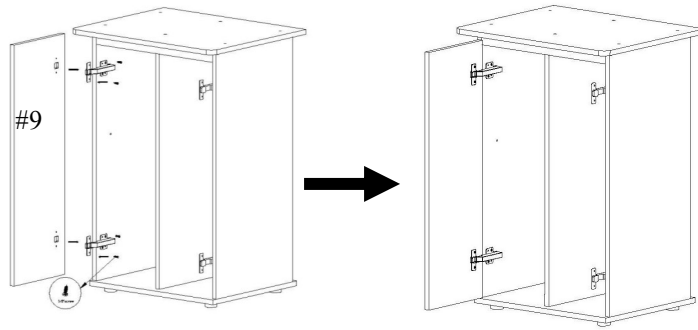
Step 6: Attaching Center Support Panel



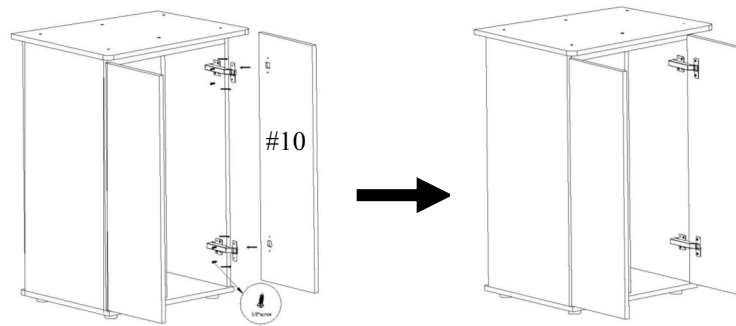
Step 7: Attaching Top Panel on Main Cabinet



Step 8: Attaching Left Door Hinges on Left Panel

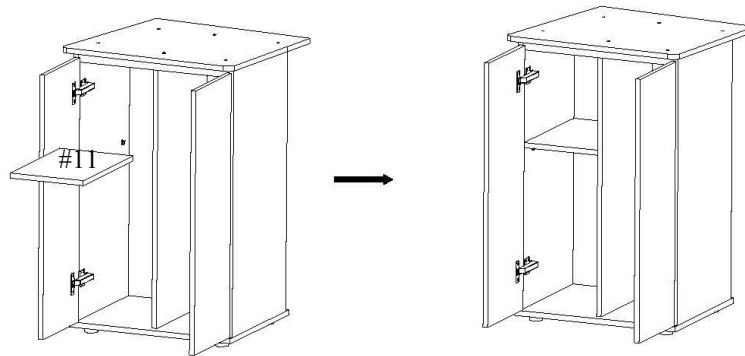
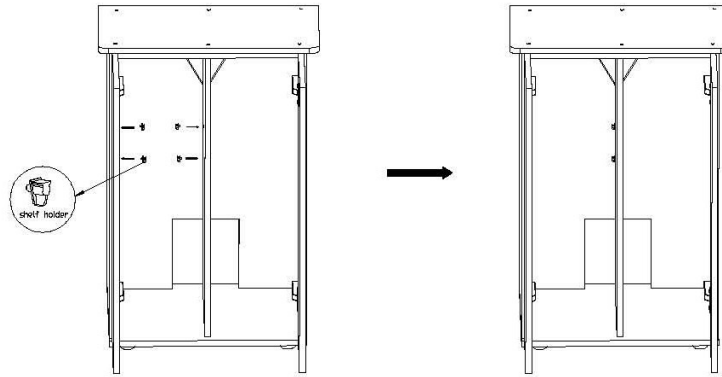


Step 9: Attaching Right Door to Hinges on Right Panel

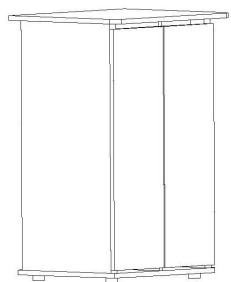


MINI 38
CABINET STAND

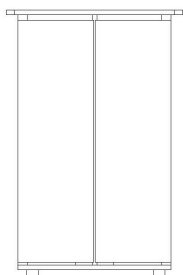
Step 10: Installing Shelf



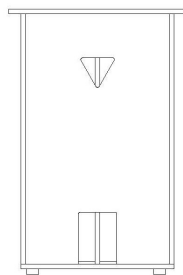
COMPLETED AQUARIUM STAND



Side View

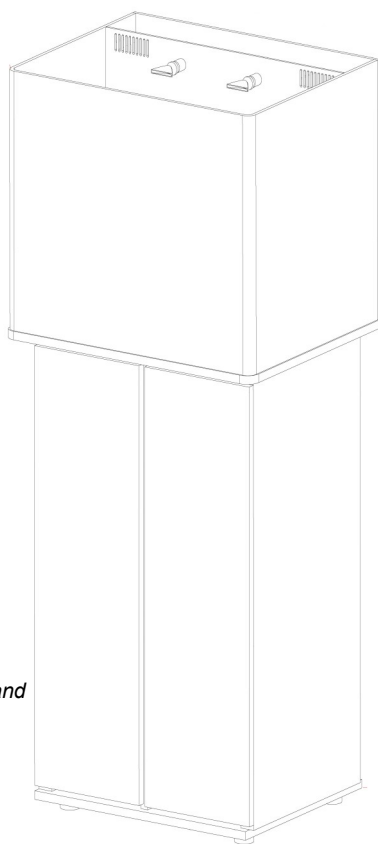


Front View



Back View

MINI 38
CABINET STAND



Shown here with:
Mini 38
Mini 38 Cabinet Stand



WWW.INNOVATIVE-MARINE.COM

A Division of

