



Micro 30  
Mini 38

# NUVO • EQUARIUM

**Owner's Manual**

**TABLE OF CONTENTS**

Important Safety Instructions	3-4
Parts—Exploded View & Identification	
Micro 30	5
Mini 38	6
Introduction	
Micro 30	7-8
Mini 38	9-10
Getting Started	11
Maintenance Procedures	12-13
Optional Equipment	
Micro 30 Cabinet Stand	14
Mini 38 Cabinet Stand	15
SkkyeLight Tablet LED	16-17
Warranty Information	18-19

## **WARNING**

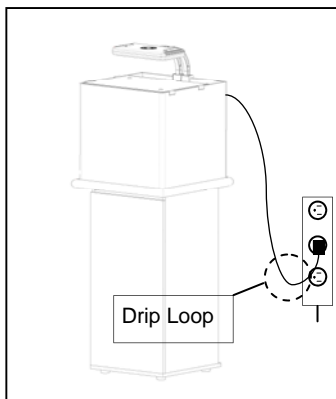
To guard against injury, basic safety precautions should be observed including the following:

### **READ ALL SAFETY INSTRUCTIONS BEFORE USE.**

#### **DANGER**

To avoid electric shock, special care should be taken since water is employed in the use of aquarium equipment. For each of the following situations, do not attempt to repair yourself. Return the appliance to an authorized service facility for service or discard the appliance.

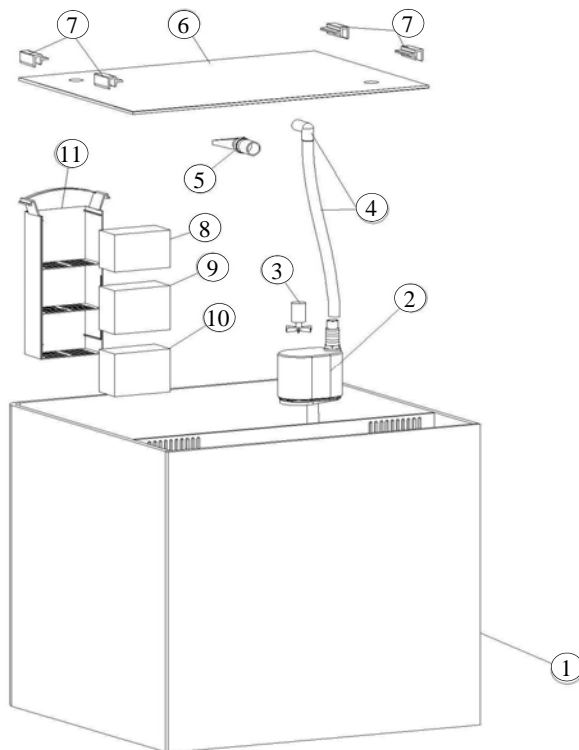
- If the appliance falls into water, **DO NOT** reach for it! First unplug it and then retrieve it. If the electrical components of the appliance get wet, unplug the appliance immediately
- Carefully examine the appliance after installation. It should not be plugged in if there is water on parts not intended to be wet.
- Do not operate any appliance if it has a damaged cord or plug, or if it is malfunctioning or if it is dropped or damaged in any manner.
- To avoid the possibility of the appliance plug or receptacle getting wet, position aquarium to one side of a wall mounted receptacle to prevent water from dripping onto the receptacle plug. A “Drip Loop” should be arranged by the user for **EACH** cord connecting an aquarium appliance to a receptacle. The “Drip Loop” is that part of the cord below the level of the receptacle or the connector if an extension cord is used. This “Drip Loop” prevents water travelling along the cord and coming in contact with the receptacle. If the plug or the receptacle do get wet **DO NOT** unplug the cord. Disconnect the fuse to the circuit breaker that supplies power to the appliance. Then unplug and examine for the presence of water in the receptacle.
- Close supervision is necessary when any appliance is used by or near children.
- To avoid injury, do not contact moving parts or hot parts such as heaters, reflectors, lamps bulbs and etc.
- Always unplug an appliance from the outlet when not in use, before putting on or taking off parts, and before cleaning. Never yank the cord to pull plug from outlet. Grasp the plug and pull to disconnect.



## IMPORTANT SAFETY INSTRUCTIONS

- Do not use an appliance for other than intended use. The use of attachments not recommended or sold by the appliance manufacturer may cause an unsafe condition.
- Do not install or store the appliance where it will be exposed to the weather or to temperatures below freezing.
- Make sure an appliance mounted on a tank is securely installed before operating it.
- Read and observe all the important notices on the appliance.
- This appliance has a polarized plug (one blade is wider than the other). As a safety feature, this plug will fit in a polarized outlet only one way. If the plug does not fit fully in the outlet, reverse the plug. If it still does not fit, contact a qualified electrician. Never use with an extension cord unless plug can be fully inserted. Do not attempt to defeat this safety feature.
- This appliance is intended FOR HOUSEHOLD USE ONLY.
- Make sure that the appliance is set on a level surface to prevent undue stress on the aquarium tank from stress and leaks. It is not recommended that this appliance is set upon coffee tables, end tables, TV stands, or night stands unless the structure has been properly tested to within the weight limits of the aquarium.

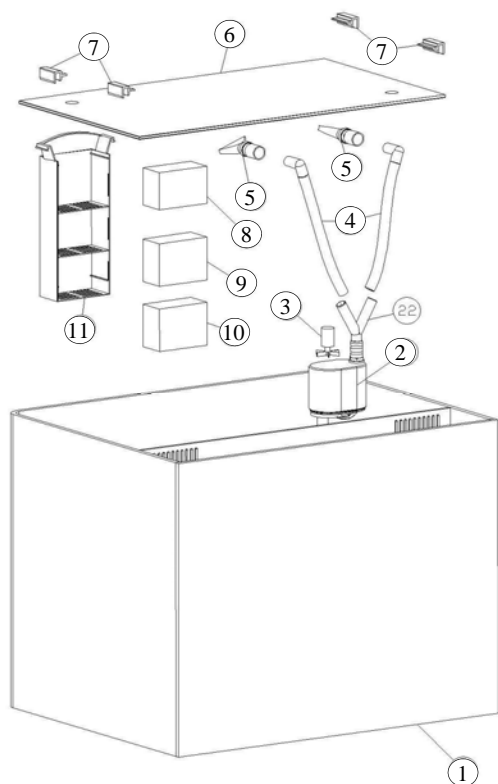
Micro 30



#	Description	Black Color	White Color
		Item Code	Item Code
1	Glass Tank 30g	040102	040101
2	30g Return Pump	030001	
3	30g Pump Impeller & Shaft	040002	
4	30g Return Hose & Elbow	040003	
5	Return Nozzle	000012	
6	Micro 30g Glass Lid	040004	
7	Micro 30g Glass Holder Clips	000009	
8	Phosphate Filter Sponge	Filter Media Pack—000010	
9	Activated Carbon Filter Sponge		
10	Mechanical Filter Sponge		
11	30g Filter Basket	000008	

**PARTS**  
**Exploded View**

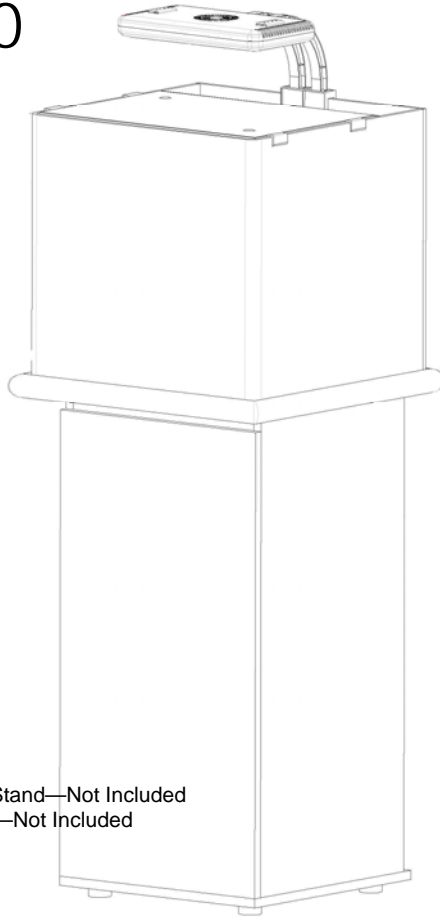
Mini 38



#	Description	Black Color	White Color
		Item Code	Item Code
1	Glass Tank 38g	050102	050101
2	38g Return Pump	040001	
3	38g Pump Impeller & Shaft	050002	
4	38g Return Hose & Elbow	050003	
5	Return Nozzle	000012	
6	Mini 38g Glass Lid	050004	
7	Mini 38g Glass Holder Clips	000009	
8	Phosphate Filter Sponge	Filter Media Pack—000010	
9	Activated Carbon Filter Sponge		
10	Mechanical Filter Sponge		
11	38g Filter Basket	000008	

NuvoAquarium is a new, advanced rimless All-In One aquarium experience. It offers ultra-modern style that compliments any décor with the high performance of larger aquariums, and simple turn-key maintenance. NuvoAquarium is constructed from beautiful bent glass for dramatic viewing.

## Micro 30



Shown with:  
Micro 30 Cabinet Stand—Not Included  
SkkyeLight Tablet—Not Included

## TANK SPECS—Micro 30

- ITEM # 0401 & 0402
- DIMS—19.69"x 19.02"x 19.02"
- TANK VOLUME—30 gallon
- GLASS THICKNESS—8mm

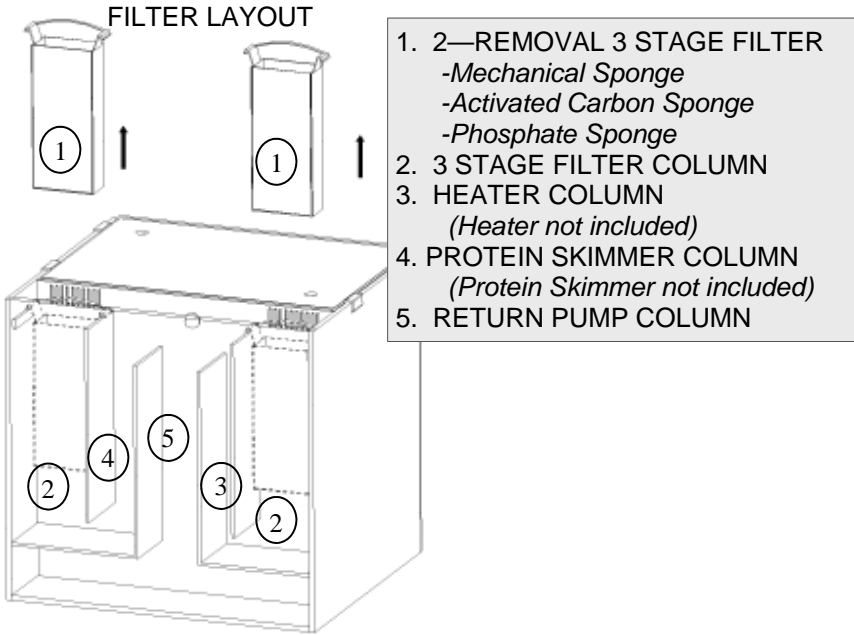
# FILTRATION—Micro 30

Features:

## Dual Built-in Overflows

### 2—Removable 3 Stage Filter Basket

- **Mechanical Filter Sponge**—traps free floating particulate matter and debris
- **Activated Carbon Sponge**—removes dissolved organics and odor
- **Phosphate Sponges**—keeps the phosphates levels low.

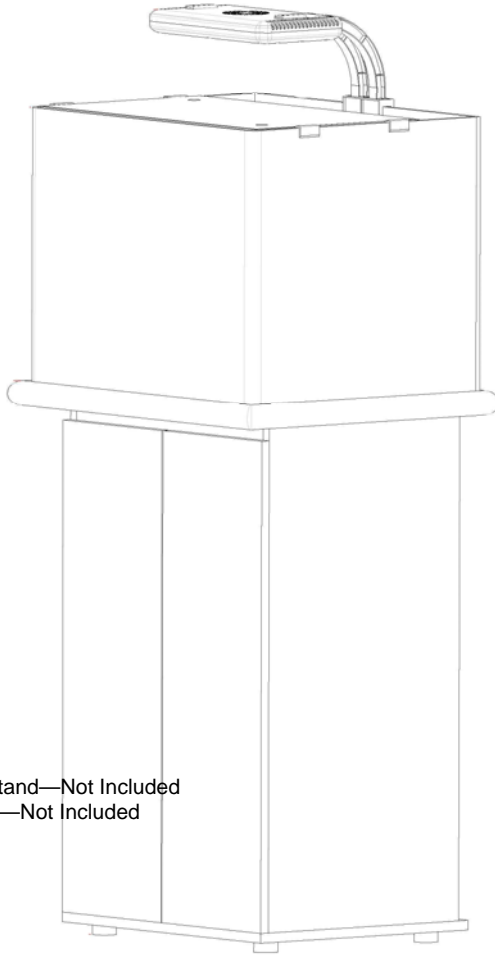


## Micro 30 Pump

Flow Rate—317 GPH

Includes flexible hose and return elbow.  
 Directional Flow Nozzle

# Mini 38



Shown with:  
Mini 38 Cabinet Stand—Not Included  
SkkyeLight Tablet—Not Included

## TANK SPECS—Mini 38

- ITEM # 0501 & 0502
- DIMS—23.62"x 19.02"x 19.02"
- TANK VOLUME—38 gallon
- GLASS THICKNESS—8mm

## FILTRATION—Mini 38

Features:

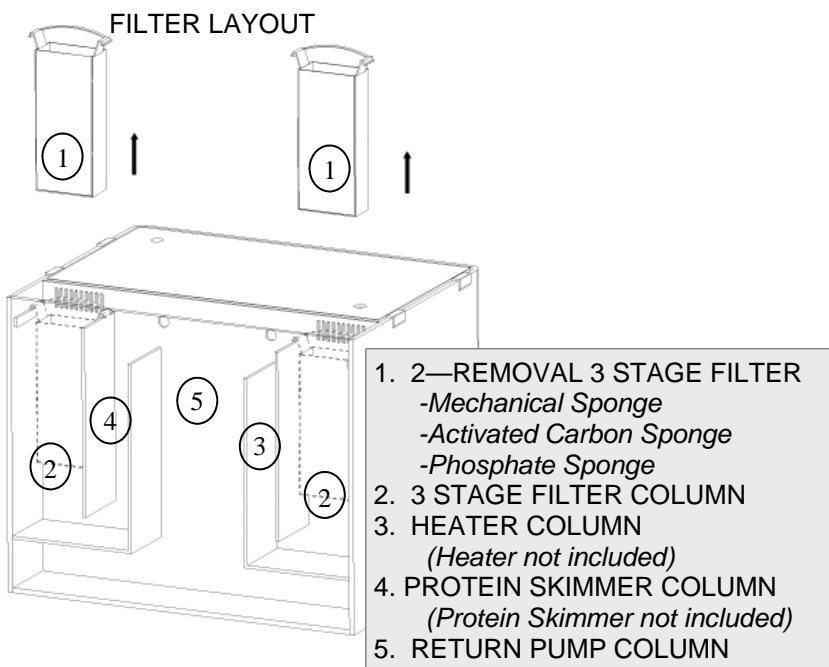
### Dual Built-in Overflow

### 2—Removable 3 Stage Filter Basket

**Mechanical Filter Sponge**—traps free floating particulate matter and debris

**Activated Carbon Sponge**—removes dissolved organics and odor

**Phosphate Sponges**—keeps the phosphates levels low.



### Mini 38 Pump

Flow Rate—476 GPH

Includes flexible hose and 2 return elbows

2—Directional Flow Nozzle

## HANDLING PRECAUTIONS

- Do not attempt to move a full or partially full Aquarium
- Do not use cleaners that contain ammonia to clean the glass surface.
- Always lift and carry the aquarium from underneath, not the sides.

## CHOOSING A LOCATION

### **With use of Micro 30 & Mini 38 Cabinet Stand.**

*(Stand Sold Separately)*

- It is recommended to use the Micro 30 or Mini 38 Cabinet Stand, depending on the model tank you have.
- Please refer to Micro 30 & Mini 38 Stand Owners Manual for Stand Assembly Instructions.
- Place Tank Stand on a leveled flat surface.
- Make sure that no part of the tank is overhanging the edge of the stand.

### **Without use of Stand**

- Place Tank on a leveled flat surface.
- Make sure the surface can support the weight of the tank, water and livestock. Average weight of water is 10lbs per gallon once filled with water, rock, gravel and other accessories.
- Do not place in direct sunlight.

## FILLING THE TANK

- Use DECHLORINATED tap water
- Always fill with room temperature water
- Rinse sponges located in the removable filter basket in sink for 30 seconds, until water runs clear.
- Fill main body of tank until water flows through the overflow grill into the rear filter chamber.
- Once rear filter compartment is full plug your pump (s) into a approved electrical outlet with a fuse or circuit breaker.
- Water will flow from the directional return nozzle(s) to the main body of the aquarium. Adjust the return nozzle to desired position.

Regular maintenance is necessary to keep successful aquarium. Changing Filter media is fast and easy with the Removable Filter Basket.

**NOTE: Unplug pump(s) before water changes or replacing filter media.**

### **WATER CHANGES**

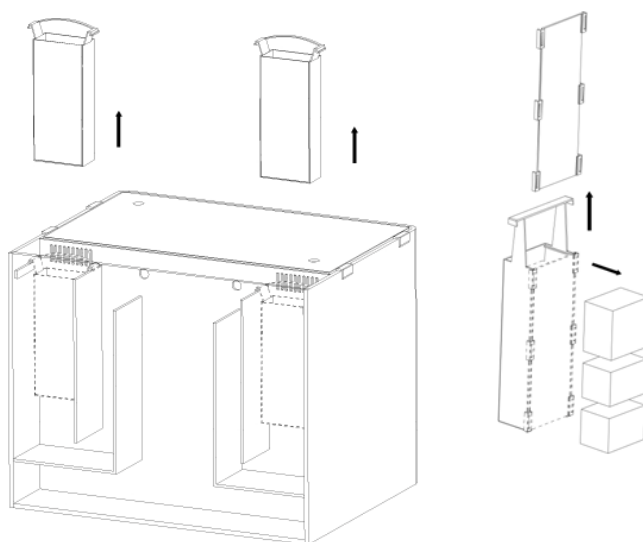
Water changes should be performed once every 2 to 4 weeks depending on the bio-load.

25% water changes with gravel vacuuming is essential to keep dissolved organic carbons to a minimum.

### **REPLACING FILTER MEDIA**

Filter Sponges should be replaced once a month to remove trapped debris and free floating particulate matter.

- Raise the Filter Basket out from the Filter Column.
- Slide the cover off of the main filter basket
- Replace with the NuvoAquarium Filter Media Pack.

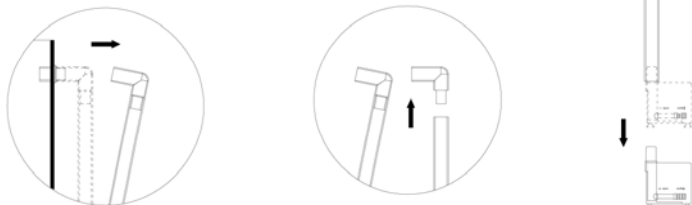


## REMOVING PUMP

### MICRO 30

- Unplug pump from power strip
- Unplug return elbow out from the return hole on filter wall
- Lift return elbow upward and remove pump from filter chamber.

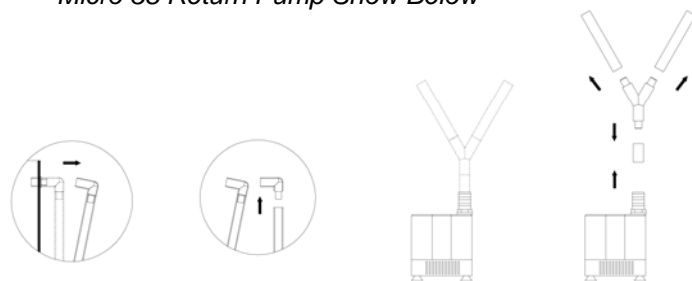
*Micro 30 Return Pump Show Below*



### MINI 38

- Unplug pump from power strip
- Unplug both return elbows out from the return hole on filter wall
- Raise each return elbow upward and remove pump from filter chamber.

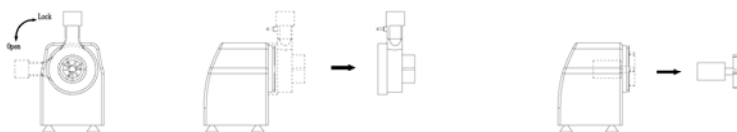
*Micro 38 Return Pump Show Below*



## REPLACING PUMP IMPELLER

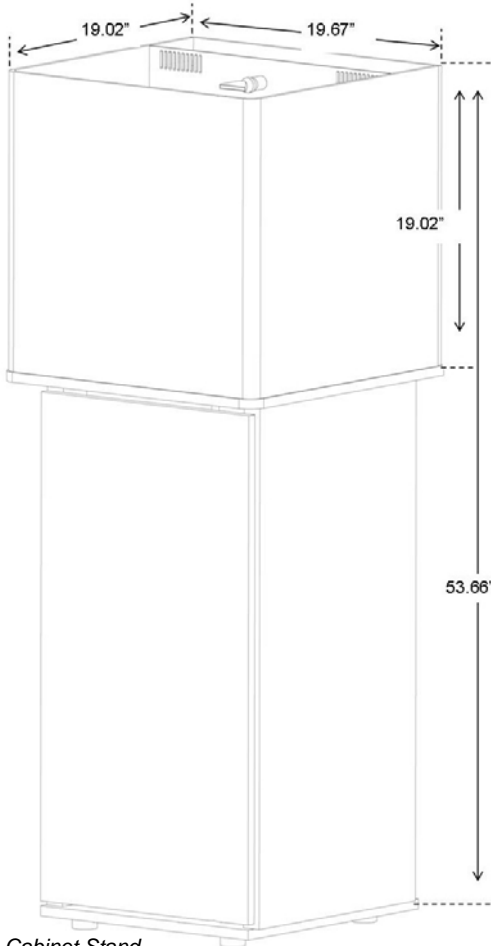
### MICRO 30 & MINI 38

- Unplug pump from power strip
- Turn the outlet coupling from lock position to open position shown below.
- off the outlet coupling from pump motor
- Pull out the impeller & shaft from pump motor



## Micro 30 Cabinet Stand

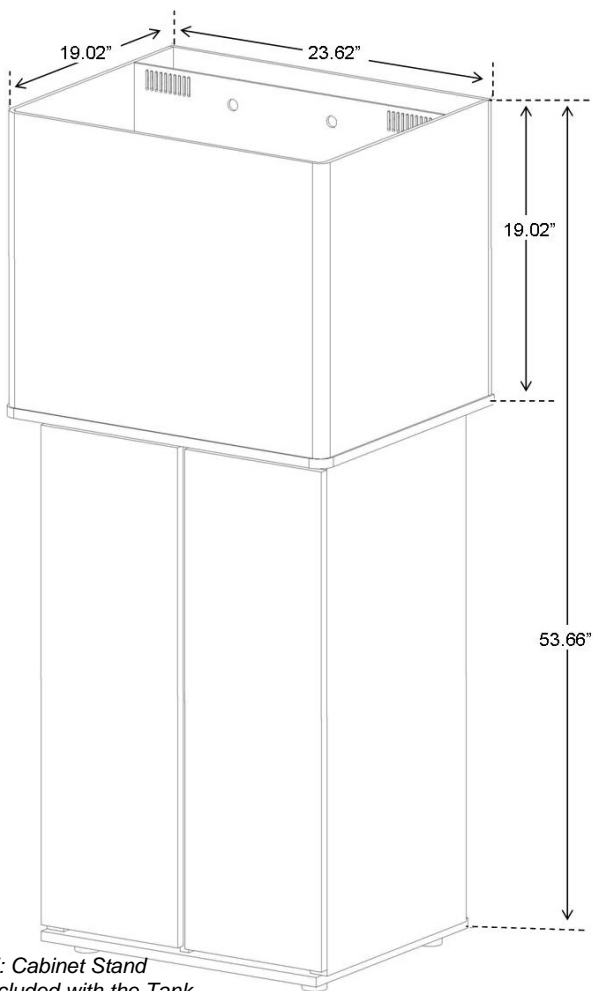
- ITEM # 0403 & 0404
- DIMS STAND ONLY: 20.08"L x 19.29"W x 34.64"H
- DIMS TANK & STAND: 20.08"L x 19.29"W x 53.66"H
- SINGLE CABINET STORAGE



*NOTE: Cabinet Stand  
Not Included with the Tank  
Sold Separately*

## Micro 38 Cabinet Stand

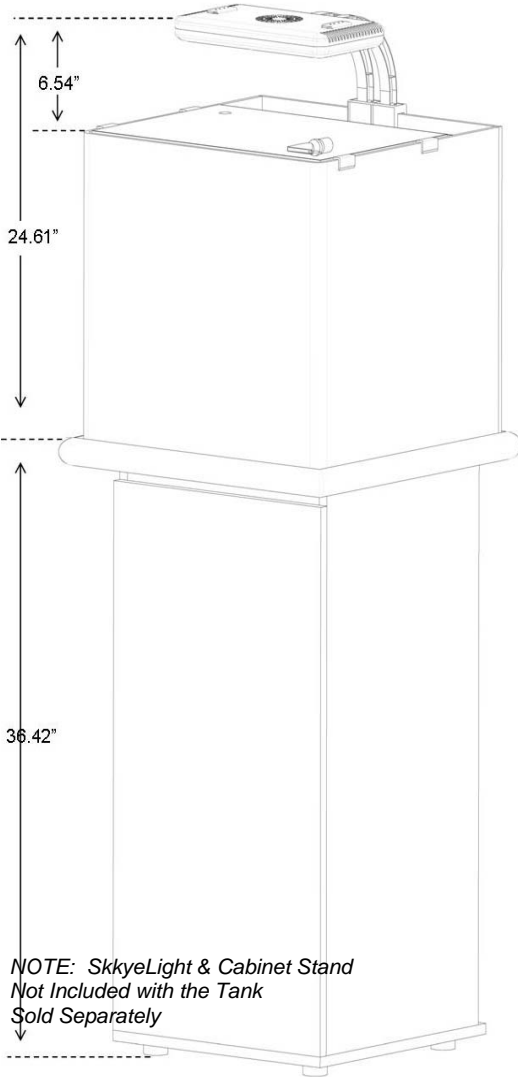
- ITEM # 0503 & 0504
- DIMS STAND ONLY: 20.08"L x 24.02"W x 34.64"H
- DIMS TANK & STAND: 20.08"L x 24.02"W x 53.66"H
- DOUBLE CABINET STORAGE



*NOTE: Cabinet Stand  
Not Included with the Tank  
Sold Separately*

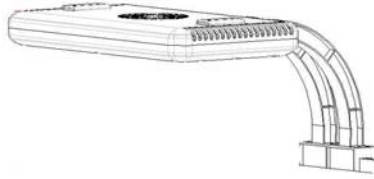
## SkkyeLight Tablet LED

- 4 DIFFERENT MODELS
  - Item # 6201—30W/ 10K—White Color
  - Item # 6202—30W/ 14K—Black Color
  - Item # 6203—92W/ 10K—White Color
  - Item # 6204—92W/ 14K—Black Color

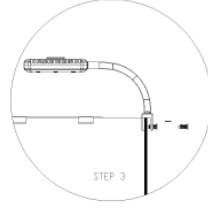
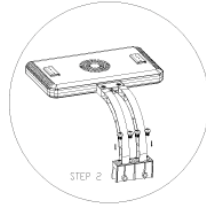
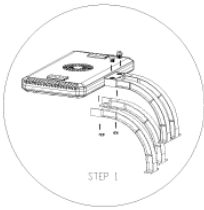


# SkkyeLight Tablet LED

- Perfect for Live Aquatic Plants and Marine Corals
- Fan Cooled
- Aluminum Alloy Arm



- Easy Installation on Micro 30 or Mini 38  
*-Please refer to Tablet Owner's Manual for installation instructions*



## WARRANTY INFORMATION

### LIMITED 1 YEAR WARRANTY— MICRO 30 & MINI 38

This MICRO 30 & MINI 38 has a 1 YEAR limited warranty.. The MICRO 30 & MINI 38 warranted to the original purchaser against defective material and workmanship for 1 YEAR from the date of original purchase. This warranty is valid only under the following conditions: additions, modifications, or changes made to the product by the purchaser and not by the manufacturer shall void this warranty. Damages brought on by abuse, misapplication, or mishandling also voids this warranty.

This warranty is limited to the repair or replacement of the product at the discretion of the manufacturer. This warranty does not cover personal injury, property loss, including livestock or damage (direct, incidental, or consequential) arising out of use of this product. This warranty gives you specific rights and you may also have other rights, which may vary from state to state.

The Product Registration Card must be filled out completely and returned within (14) days from the date of purchase. Failure to do so will void this warranty. **A proof of purchase from an authorized dealer must be provided when making a warranty claim.**

For Warranty Claims please contact our Customer Care Department.

A RMA # must be issued before sending any product back to Innovative Marine. Products sent back to Innovative Marine without RMA# will be not be accepted. Service on products will not extend the original warranty period.

**Email: [warranty@innovative-marine.com](mailto:warranty@innovative-marine.com)**

**PRODUCT INFORMATION**

<b>MODEL #</b>
<b>AQUARIUM SERIAL #</b>
<b>DATE OF PURCHASE</b>

*Please keep your receipt in a safe place to ensure you have this information.*



[WWW.INNOVATIVE-MARINE.COM](http://WWW.INNOVATIVE-MARINE.COM)

A Division of

