



Pico 4
Nano 8
Nano 16

NUVO • AQUARIUM

Owner's Manual

TABLE OF CONTENTS

Important Safety Instructions	3-4
Parts—Exploded View & Identification	
Pico 4	5
Nano 8	6
Nano 16	7
Introduction	
Pico 4 & Nano 8	8-9
Nano 16	10-11
Getting Started	12-13
Maintenance Procedures	14-15
Warranty Information	18-19

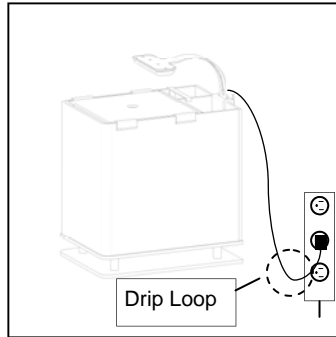
WARNING

To guard against injury, basic safety precautions should be observed including the following:

**READ ALL SAFETY INSTRUCTIONS BEFORE USE.
WARNING**

To avoid electric shock, special care should be taken since water is employed in the use of aquarium equipment. For each of the following situations, do not attempt to repair yourself. Return the appliance to an authorized service facility for service or discard the appliance.

- If the appliance falls into water, DO NOT reach for it! First unplug it and then retrieve it. If the electrical components of the appliance get wet, unplug the appliance immediately
- Carefully examine the appliance after installation. It should not be plugged in if there is water on parts not intended to be wet.
- Do not operate any appliance if it has a damaged cord or plug, or if it is malfunctioning or if it is dropped or damaged in any manner.
- To avoid the possibility of the appliance plug or receptacle getting wet, position aquarium to one side of a wall mounted receptacle to prevent water from dripping onto the receptacle plug. A “Drip Loop” should be arranged by the user for EACH cord connecting an aquarium appliance to a receptacle. The “Drip Loop” is that part of the cord below the level of the receptacle or the connector if an extension cord is used. This “Drip Loop” prevents water travelling along the cord and coming in contact with the receptacle.

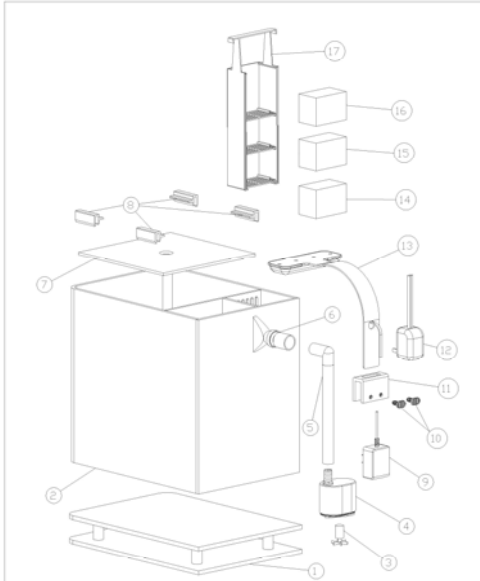


- If the plug or the receptacle do get wet DO NOT unplug the cord. Disconnect the fuse to the circuit breaker that supplies power to the appliance. Then unplug and examine for the presence of water in the receptacle.
- Close supervision is necessary when any appliance is used by or near children.
- To avoid injury, do not contact moving parts or hot parts such as heaters, reflectors, lamps bulbs and etc.
- Always unplug an appliance from the outlet when not in use, before putting on or taking off parts, and before cleaning. Never yank the cord to pull plug from outlet. Grasp the plug and pull to disconnect.

IMPORTANT SAFETY INSTRUCTIONS

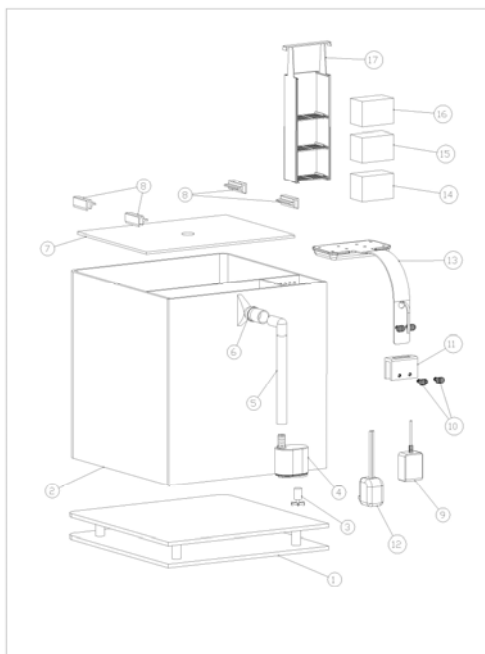
- Do not use an appliance for other than intended use. The use of attachments not recommended or sold by the appliance manufacturer may cause an unsafe condition.
- Do not install or store the appliance where it will be exposed to the weather or to temperatures below freezing.
- Make sure an appliance mounted on a tank is securely installed before operating it.
- Read and observe all the important notices on the appliance.
- This appliance has a polarized plug (one blade is wider than the other). As a safety feature, this plug will fit in a polarized outlet only one way. If the plug does not fit fully in the outlet, reverse the plug. If it still does not fit, contact a qualified electrician. Never use with an extension cord unless plug can be fully inserted. Do not attempt to defeat this safety feature.
- This appliance is intended FOR HOUSEHOLD USE ONLY.
- Make sure that the appliance is set on a level surface to prevent undue stress on the aquarium tank from stress and leaks. It is not recommended that this appliance is set upon coffee tables, end tables, TV stands, or night stands unless the structure has been properly tested to within the weight limits of the aquarium.

PICO 4



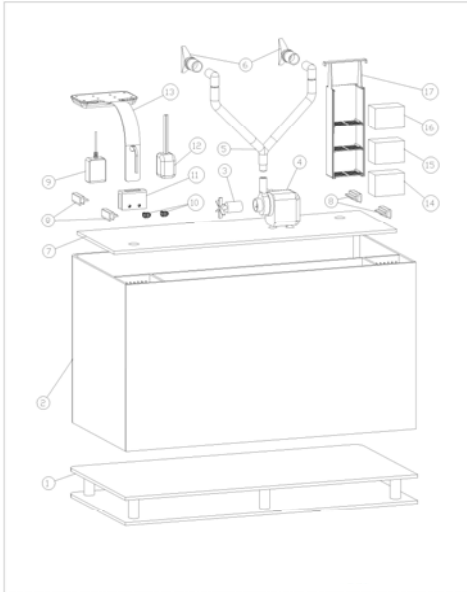
#	Description	Black Color	White Color
		Item Code	Item Code
1	Pedestal	010201	010101
2	Glass Tank 4g	010202	010102
3	4g Pump Impeller	010002	
4	4g Return Pump	010001	
5	4g Return Hose & Elbow	010003	
6	Return Nozzle	000006	
7	Pico Glass Lid	010004	
8	Glass Holder Clips	000002	
9	2 x 0.5W/4 x 0.5W Moonlight Driver	610005	
10	Clamp Mounting Screws	610003	
11	Clamp Mounting Bracket	610002	610001
12	3 x 1W Daylight Driver	610004	
13	Clamp Light Arm - 4W	610007	610008
14	Phosphate Filter Sponge	Filter Media Pack - 000004	
15	Activated Carbon Filter Sponge		
16	Mechanical Filter Sponge		
17	Filter Basket	000003	

Nano 8



#	Description	Black Color	White Color
		Item Code	Item Code
1	Pedestal 8g	020201	020101
2	Glass Tank 8g	020202	020102
3	8g Pump Impeller	020002	
4	8g Return Pump	020001	
5	8g Return Hose & Elbow	020003	
6	8g Return Nozzle	000006	
7	Nano 8 Glass Lid	020005	
8	Glass Holder Clips	000002	
9	2 x 0.5W/4 x 0.5W Moonlight Driver	610005	
10	Clamp Mounting Screws	610003	
11	Clamp Mounting Bracket	610002	610001
12	6 x 1W Daylight Driver	610006	
13	Clamp Light Arm - 8W	610010	610009
14	Phosphate Filter Sponge	Filter Media Pack - 000004	
15	Activated Carbon Filter Sponge		
16	Mechanical Filter Sponge		
17	Filter Basket	000003	

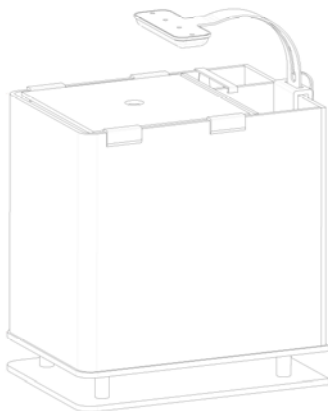
Nano 16



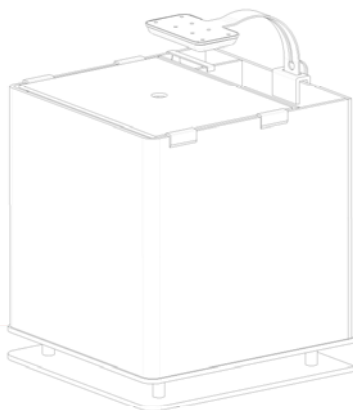
#	Description	Black Color	White Color
		Item Code	Item Code
1	Pedestal 16g	030201	030101
2	Glass Tank 16g	030202	030102
3	16g Pump Impeller	030001	
4	16g Return Pump	020004	
5	16g Return Hose & Elbow	030002	
6	Return Nozzle	000006	
7	Nano 16 Glass Lid	030003	
8	Glass Holder Clips	000002	
9	2 x 0.5W/4 x 0.5W Moonlight Driver	610005	
10	Clamp Mounting Screws	610003	
11	Clamp Mounting Bracket	610002	610001
12	6 x 1W Daylight Driver	610006	
13	Clamp Light Arm - 8W	610010	610009
14	Phosphate Filter Sponge	Filter Media Pack - 000004	
15	Activated Carbon Filter Sponge		
16	Mechanical Filter Sponge		
17	Filter Basket	000003	

NuvoAquarium is a new, advanced rimless All-In One aquarium experience. It offers ultra-modern style that compliments any décor with the high performance of larger aquariums, and simple turn-key maintenance. NuvoAquarium is constructed from beautiful bent glass for dramatic viewing and paired with the high brightness of the Skkye Light LED lighting for live aquatic plants and mariner corals.

Pico 4



Nano 8



SKKYE LIGHT — Clamp

Features:

Clamp 4Watt LED

Light Output

Model #6101

-3 x 1Watt Daylight 10K LEDs

-2 x .5Watt Moonlight LEDs.

Model #6102

-3 x 1Watt Daylight 14K LEDs

-2 x .5Watt Moonlight LEDs

-Clamp 8Watt LED

Light Output

Model #6103

-6 x 1Watt Daylight 10K LEDs

-4 x .5Watt Moonlight LEDs.

Model #6104

-6 x 1Watt Daylight 14K LEDs

-4 x .5Watt Moonlight LEDs

-Independent Power Cords

-Adjustable Aluminum Arm.

FILTRATION—Pico 4 & Nano 8

Features:

Built-in Overflow

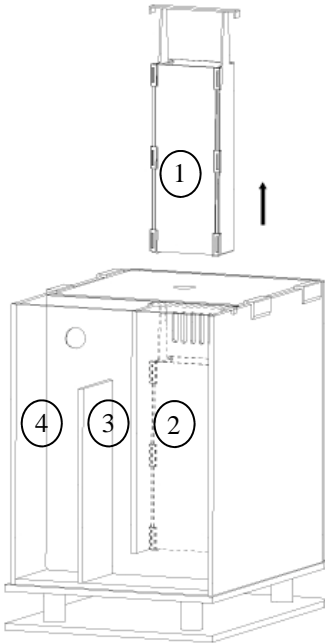
Removable 3 Stage Filter Basket

Mechanical Filter Sponge—traps free floating particulate matter and debris

Activated Carbon Sponge—removes dissolved organics and odor

Phosphate Sponges—keeps the phosphates levels low.

FILTER LAYOUT



1. REMOVAL 3 STAGE FILTER
-Mechanical Sponge
-Activated Carbon Sponge
-Phosphate Sponge
2. 3 STAGE FILTER COLUMN
3. HEATER COLUMN
(Heater not included)
4. RETURN PUMP COLUMN

Pico 4 Pump

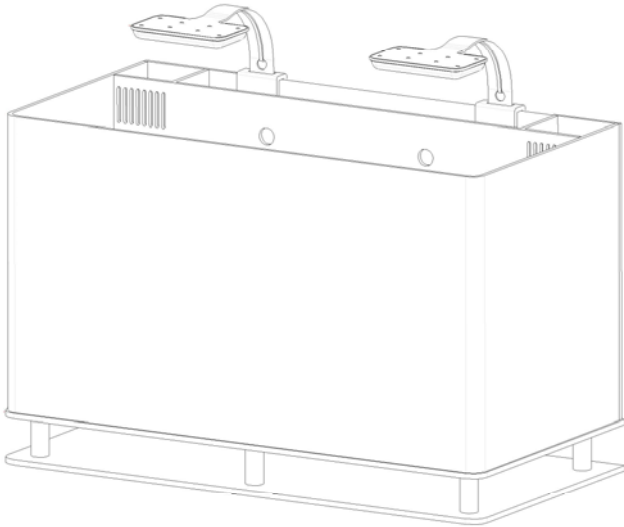
Adjustable Flow Rate
 12—52 gph

Nano 8 Pump

Adjustable Flow Rate
 13—92 gph

Includes flexible hose and return elbow.
 Directional Flow Nozzle

Nano 16



Features:

2 x Clamp 8Watt LED. Total 16 Watt LED
Light Output

Model #6103

-6 x 1Watt Daylight 10K LEDs

-4 x .5Watt Moonlight LEDs.

Model #6104

-6 x 1Watt Daylight 14K LEDs

-4 x .5Watt Moonlight LEDs

-Independent Power Cords
-Adjustable Aluminum Arm.

FILTRATION—Nano 16

Features:

Dual Built-in Overflows

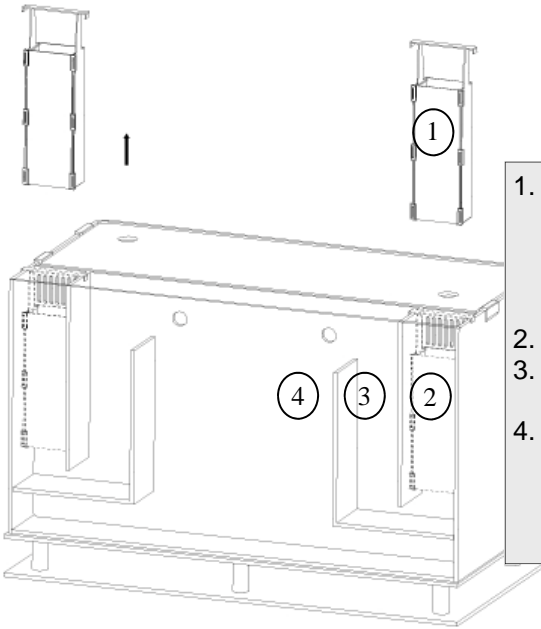
2—Removable 3 Stage Filter Baskets

Mechanical Filter Sponge—traps free floating particulate matter and debris

Activated Carbon Sponge—removes dissolved organics and odor

Phosphate Sponges—keeps the phosphates levels low.

FILTER LAYOUT



1. REMOVAL 3 STAGE FILTER
-Mechanical Sponge
-Activated Carbon Sponge
-Phosphate Sponge
2. 3 STAGE FILTER COLUMN
3. HEATER COLUMN
(Heater not included)
4. RETURN PUMP COLUMN

Nano 16 Pump

Submersible Pump 211 gph

Includes flexible hose and return elbows
 Dual Directional Flow Nozzle

HANDLING PRECAUTIONS

- Do not attempt to move a full or partially full Aquarium
- Do not use cleaners that contain ammonia to clean the glass surface.
- Always lift and carry the aquarium from underneath, not the sides.

CHOOSING A LOCATION

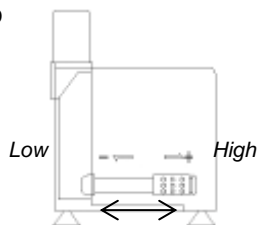
- Place pedestal on a leveled flat surface.
- Make sure that no part of the pedestal is overhanging.
- Make sure the surface can support the weight of the pedestal, tank, water and livestock. Keep in mind the average weight of water is 10lbs per gallon, plus the weight of the rock, gravel and other accessories.
- Place tank on the Pedestal. Be sure to line up the edges of the tank with the edges of the pedestal.
- Do not place in direct sunlight.

FILLING THE TANK

- Use DECHLORINATED tap water
- Always fill with room temperature water
- Rinse sponges located in the removable filter basket in sink for 30 seconds, until water runs clear.
- Fill main body of tank until water flows through the overflow grill into the rear filter chamber.
- Once rear filter compartment is full, plug your pump(s) into a approved electrical outlet with a fuse or circuit breaker.
- Water will flow from the return nozzle to the main body of the aquarium. Adjust the return nozzle to desired position.

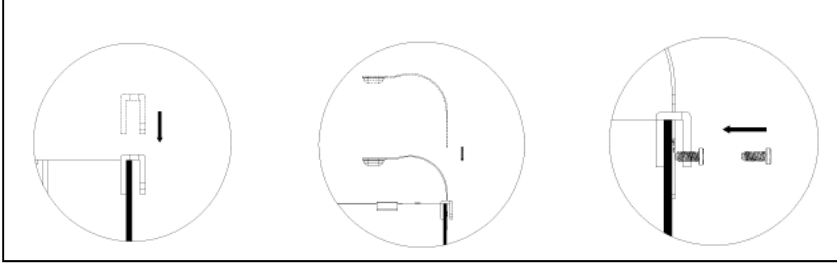
ADJUSTING FLOW RATE—Pico 4 & Nano 8 only

- The Return pump on the Pico 4 & Nano 8 has an adjustable flow rate.
- 2 settings—High and Low
- Pico 4—Range 12—52gph
- Nano 8—Range 13—92 gph



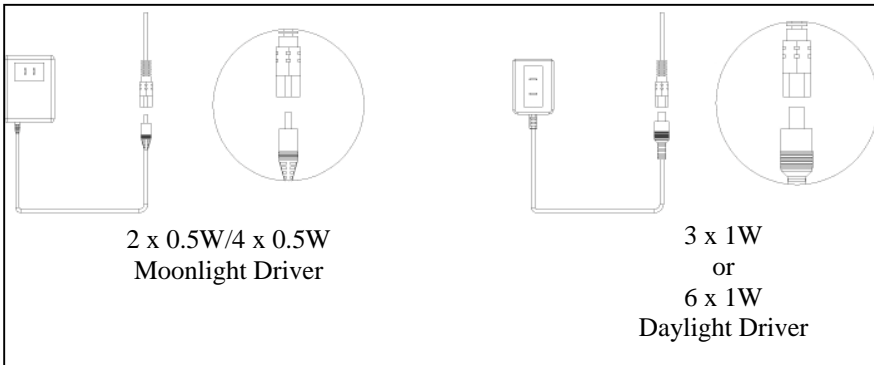
MOUNTING SKKYELIGHT CLAMP

- Place Clamp Mounting bracket back wall of aquarium.
- Slide the Clamp Light Arm through the opening on the bracket.
- The Clamp Light Arm will be on the back of the rear wall. Adjust the height of the Clamp Arm to your desired position.
- Insert the mounting screws in the mounting bracket and tighten.



Powering up Clamp

- Clamp 4W and Clamp 8W comes with 2 Drivers—Daylight and Moonlight.
- Plug each male prong from the Clamp to the matching Driver.
- Plug the Moonlight Driver into a approved household timer
- Plug the Daylight Driver into a approved household timer



Regular maintenance is necessary to keep successful aquarium. Changing Filter media is fast and easy with the Removable Filter Basket.

NOTE: Unplug pump(s) before water changes or replacing filter media.

WATER CHANGES

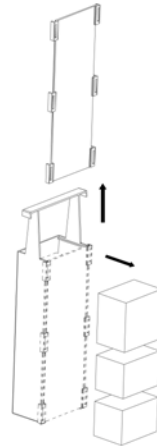
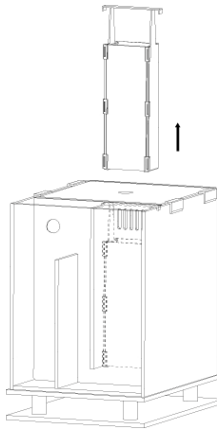
Water changes should be performed once every 2 to 4 weeks depending on the bio-load.

25% water changes with gravel vacuuming is essential to keep dissolved organic carbons to a minimum.

REPLACING FILTER MEDIA

Filter Sponges should be replaced once a month to remove trapped debris and free floating particulate matter.

- Lift the Filter Basket out from the Filter Column.
- Slide the cover off of the main filter basket
- Replace with the NuvoAquarium Filter Media Pack.

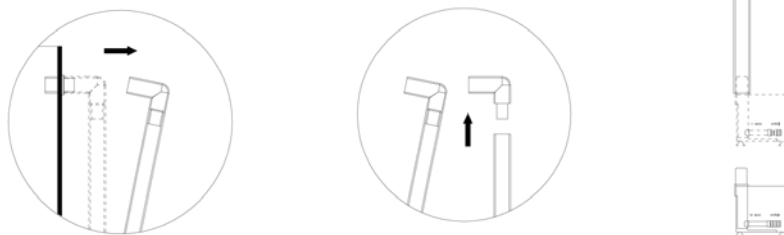


REMOVING PUMP

PICO 4 & NANO 8

- Unplug pump from power strip
- Unplug return elbow out from the return hole on filter wall
- Lift return elbow upward and remove pump from filter chamber.

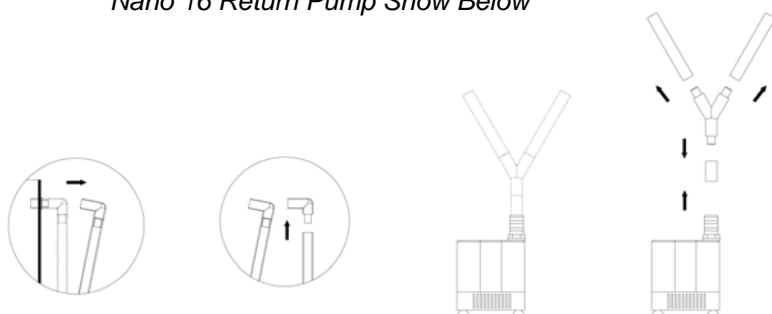
Pico 4 & Nano 8 Return Pump Show Below



NANO 16

- Unplug pump from power strip
- Unplug both return elbows out from the return holes on filter wall
- Lift each return elbow upward and remove pump from filter chamber.

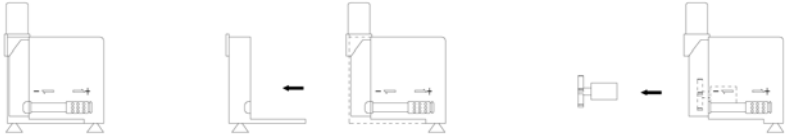
Nano 16 Return Pump Show Below



REPLACING PUMP IMPELLER

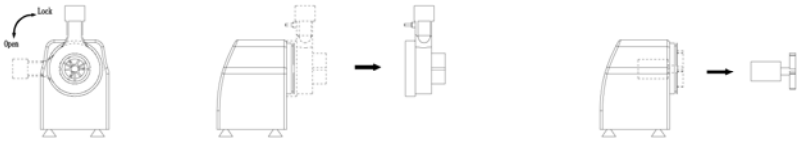
PICO 4 & NANO 8

- Unplug pump from power strip
- Slide the Impeller Cover off of pump motor shown below
- Lift the Impeller out of pump motor



NANO 16

- Unplug pump from power strip
- Turn the outlet coupling from lock position to open position shown below.
- Disassemble the outlet coupling from pump motor
- Lift out the impeller & shaft from pump motor



WARRANTY INFORMATION

LIMITED 1 YEAR WARRANTY— PICO 4, NANO 8, NANO 16 TANKS

This Pico 4, Nano 8, Nano 16 has a 1 YEAR limited warranty. The Pico 4, Nano 8, Nano 16 warranted to the original purchaser against defective material and workmanship for 1 YEAR from the date of original purchase. This warranty is valid only under the following conditions: additions, modifications, or changes made to the product by the purchaser and not by the manufacturer shall void this warranty. Damages brought on by abuse, misapplication, or mishandling also voids this warranty.

This warranty is limited to the repair or replacement of the product at the discretion of the manufacturer. This warranty does not cover personal injury, property loss, including livestock or damage (direct, incidental, or consequential) arising out of use of this product. This warranty gives you specific rights and you may also have other rights, which may vary from state to state.

The Product Registration Card must be filled out completely and returned within (14) days from the date of purchase. Failure to do so will void this warranty. **A proof of purchase from an authorized dealer must be provided when making a warranty claim.**

For Warranty Claim please contact our Customer Care Department.

A RMA # must be issued before sending any product back to Innovative Marine. Products sent back to Innovative Marine without RMA# will not be accepted. Service on products will not extend the original warranty period.

Email: warranty@innovative-marine.com

PRODUCT INFORMATION

MODEL #
AQUARIUM SERIAL #
CLAMP SERIAL #
DATE OF PURCHASE

Please keep your receipt in a safe place to ensure you have this information.



WWW.INNOVATIVE-MARINE.COM

A Division of

